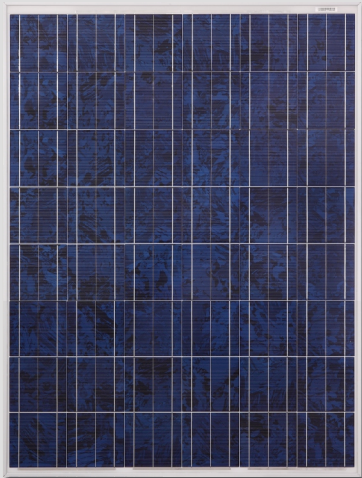


# CS6A

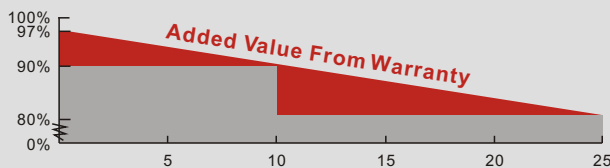
**185/190/195/200/205P**



CS6A is a robust solar module with 48 solar cells. These modules can be used for on-grid solar applications. Our meticulous design and production techniques ensure a high-yield, long-term performance for every module produced. Our rigorous quality control and in-house testing facilities guarantee Canadian Solar's modules meet the highest quality standards possible.

## Key Features

- High module efficiency up to 15.76%
- Positive power tolerance: 0 ~ +5W
- Robust frame to up to 5400 Pa load
- Anti-reflective with self-cleaning surface
- Outstanding performance at low irradiance
- High energy yield at Low NOCT
- **Backed By Our New 10/25 Linear Power Warranty Plus our added 25 year insurance coverage**



- 10 year product warranty on materials and workmanship
- 25 year linear power output warranty

## Best Quality

- 235 quality control points in module production
- EL screening to eliminate product defects
- Current binning to improve system performance
- Accredited Salt mist resistant

## Best Warranty Insurance

- 25 years worldwide coverage
- 100% warranty term coverage
- Providing third party bankruptcy rights
- Non-cancellable
- Immediate coverage
- Insured by 3 world top insurance companies

## Comprehensive Certificates

- IEC 61215, IEC 61730, IEC61701Ed2, MCS
- ISO9001: 2008: Quality Management System
- ISO/TS16949:2009: The automotive quality management system
- ISO14001:2004: Standards for Environmental management system
- QC080000 HSPM: The Certification for Hazardous Substances Regulations
- OHSAS 18001:2007 International standards for occupational health and safety
- Reach Compliance



# CS6A-185/190/195/200/205P

## Electrical Data

STC	CS6A-185P	CS6A-190P	CS6A-195P	CS6A-200P	CS6A-205P
Nominal Maximum Power (Pmax)	185W	190W	195W	200W	205W
Optimum Operating Voltage (Vmp)	23.7V	23.9V	24.0V	24.1V	24.2V
Optimum Operating Current (Imp)	7.82A	7.95A	8.13A	8.30A	8.47A
Open Circuit Voltage (Voc)	29.4V	29.6V	29.6V	29.8V	29.9V
Short Circuit Current (Isc)	8.39A	8.50A	8.69A	8.87A	9.03A
Module Efficiency	14.23%	14.61%	15.00%	15.38%	15.76%
Operating Temperature	-40°C~+85°C				
Maximum System Voltage	1000V (IEC) /600V (UL)				
Maximum Series Fuse Rating	15A				
Application Classification	Class A				
Power Tolerance	0 ~ +5W				

Under Standard Test Conditions (STC) of irradiance of 1000W/m<sup>2</sup>, spectrum AM 1.5 and cell temperature of 25°C

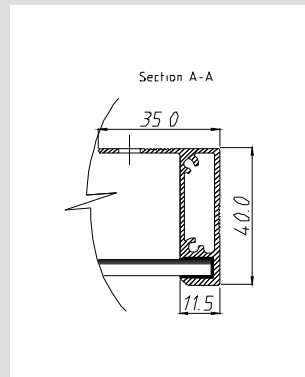
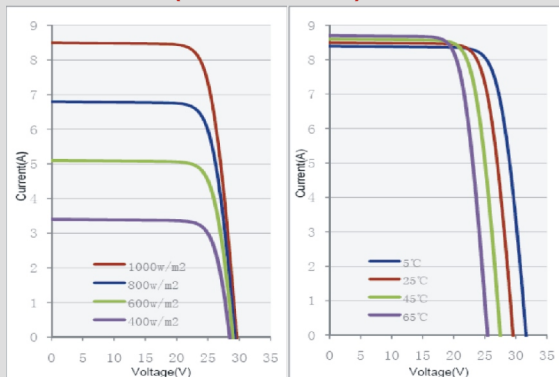
NOCT	CS6A-185P	CS6A-190P	CS6A-195P	CS6A-200P	CS6A-205P
Nominal Maximum Power (Pmax)	134W	138W	141W	145W	149W
Optimum Operating Voltage (Vmp)	21.6V	21.8V	21.9V	22.0V	22.1V
Optimum Operating Current (Imp)	6.21A	6.32A	6.46A	6.60A	6.73A
Open Circuit Voltage (Voc)	27.0V	27.2V	27.2V	27.4V	27.5V
Short Circuit Current (Isc)	6.80A	6.89A	7.04A	7.19A	7.32A

Under Normal Operating Cell Temperature, Irradiance of 800 W/m<sup>2</sup>, spectrum AM 1.5, ambient temperature 20°C, wind speed 1 m/s

## Mechanical Data

Cell Type	Poly-crystalline 156 x 156mm, 2 or 3 Busbars
Cell Arrangement	48 (6 x 8)
Dimensions	1324 x 982 x 40mm (52.1 x 38.7 x 1.57in)
Weight	15.3kg (33.7 lbs)
Front Cover	3.2mm Tempered glass
Frame Material	Anodized aluminium alloy
J-BOX	IP65, 3 diodes
Cable	4mm <sup>2</sup> (IEC)/12AWG(UL), 950mm
Connectors	MC4 or MC4 Comparable
Standard Packaging (Modules per Pallet)	24pcs
Module Pieces per container (40 ft. Container)	768 pcs (40'HQ)

## I-V Curves (CS6A-190P)



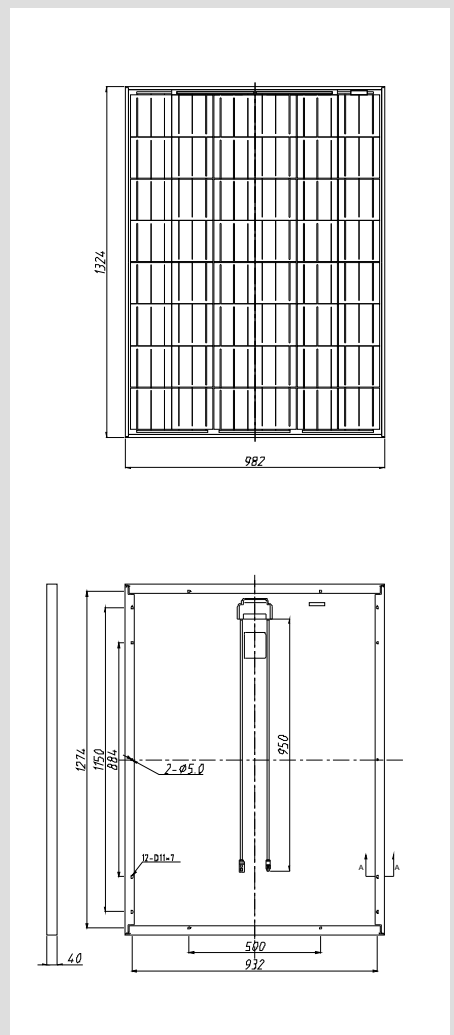
## Temperature Characteristics

Temperature Coefficient	Pmax	-0.43%/°C
	Voc	-0.34 %/°C
	Isc	0.065 %/°C
Normal Operating Cell Temperature	45±2°C	

## Performance at Low Irradiance

Industry leading performance at low irradiance environment, +95.5% module efficiency from an irradiance of 1000w/m<sup>2</sup> to 200w/m<sup>2</sup> (AM 1.5, 25 °C)

## Engineering Drawings



\*Specifications included in this datasheet are subject to change without prior notice.

## About Canadian Solar

Canadian Solar Inc. is one of the world's largest solar companies. As a leading vertically-integrated manufacturer of ingots, wafers, cells, solar modules and solar systems, Canadian Solar delivers solar power products of uncompromising quality to worldwide customers. Canadian Solar's world class team of professionals works closely with our customers to provide them with solutions for all their solar needs.

Canadian Solar was founded in Canada in 2001 and was successfully listed on NASDAQ Exchange (symbol: CSIQ) in November 2006. Canadian Solar has module manufacturing capacity of 2.05GW and cell manufacturing capacity of 1.3GW.

Headquarters | 545 Speedvale Avenue West  
Guelph | Ontario N1K 1E6 | Canada  
Tel: +1 519 837 1881  
Fax: +1 519 837 2550  
inquire.ca@canadiansolar.com  
www.canadiansolar.com